

# VT231-A230-A Series

## 2.0 Megapixel Starlight IR Network Dome Camera

**Infinova**<sup>®</sup>  
The Integrator's Manufacturer



- Inbuilt 30X HD integrated camera module
- 1/1.9" large area progressive scanning CMOS sensor
- ICR infrared filter type automatic switch to realize true day/night surveillance
- Starlight - level ultra - low illumination: 0.0005 lux
- Supports multi - frame composite pattern wide dynamic and the maximum dynamic range is 120dB
- Inbuilt efficient infrared lamps, wave length 850nm, ensure stable long - term use and reduce maintenance cost
- Night vision distance up to 200m
- The ways of turning on the infrared lamps can be flexible to meet diversified surveillance environment demands
- The infrared power is adjusted automatically based on dome drive zooming or manually to optimize the night vision fill - in light effects
- HD network video output: 1920×1080@60fps
- Features smart functions to achieve border protection (wire cross, intrusion)
- H.265+M - JPEG or H.264+M - JPEG video encoding, three streams
- Supports embedded storage/NAS storage
- Supports alarm recording and alarm snapshots
- Bi - directional audio, G.711a/G.711u/AAC standard optional
- Two alarm inputs and one alarm output
- Supports motion detection, 4 detecting areas dividable
- Supports servo feedback mechanism and multiple alarm-triggered ways, such as IO input, network disconnected, motion detection, smart detection, etc.; supports flexible alarm associated configurations, such as I/O output, email, FTP picture-uploading, audio and TF card recording
- Supports Region of Interest (ROI), 8 regions dividable
- Allows multiple users to perform live access and parameters settings via Web Server
- Supports preset, autopan, pattern, autoscan, time tour, normal tour, power - on return, etc.
- Supports Auto-Flip
- Compatible with Infinova digital video surveillance software and convenient to integrate with other video surveillance software
- Supports ONVIF Profile S standard
- Standard SDK, easy to integrate with other digital system
- Supports RS485 control and analog video output for easy debugging
- IP66 protection rate, inbuilt a heater and air circulation system to avoid icing
- Supports remote network upgrade
- Adopts hydrophobic lens, lens self-clean

VT231 - A2 series is our newly introduced high definition infrared network dome camera that supports 1920×1080@60fps HD network video output. It adopts H.265/H.264/M - JPEG encoding and its output provides excellent definition and color revivification degree which enables the acquisition of rich and accurate details so as to effectively guarantee smart analysis accuracy.

This product adopts large power LED infrared lamps, infrared wave length 850nm, long night vision distance up to 200m, strong illumination. The IR lamps can turn on or off automatically based on environmental lighting conditions or can be adjusted manually. The IR illumination allows flexible adjustment so as to reduce IR lamp calorific value and extend its service life.

User - friendly GUI interface design allows users to perform dome PTZ control easily via network and to configure detailed camera parameters settings. At Web interface users can perform dome camera settings and operations by using a mouse which is more convenient than the traditional keyboard control. It also supports area zoom and image PTZ function.

VT231 - A2 series dome cameras also feature general dome functions such as preset, pattern, autopan, autoscan, time tour and normal tour.

## Technical specifications

Lens	
Optical Zoom	30X
Image Sensor	1/1.9" Sony progressive scanning CMOS sensor
Aperture/Focal Length	F1.5~F4.3, f=4.3~129mm
Angle of View	61.2° (Wide) ~ 2.32° (Tele)
Min. Work Distance	0.1m (Wide) ~ 1.0m (Tele)
Shutter	Auto, Manual (adjustment range: 1/1s-1/32000s)
DSS	Available
Day/Night Switch	ICR
Sensitivity	Color mode: 0.005 lux @ F1.5 (AGC ON); B/W mode: 0.0005 lux @ F1.5 (AGC ON) 0 lux (IR ON)
Video	
Compression	H.265 /H.264 switchable M-JPEG independent encoding
Encoding Capability	1080P@60fps
Audio	
Compression	G.711a/G.711u/AAC
Sampling rate	8KHz, 16KHz, 32KHz, 44.1KHz, 48KHz
Port	1 input, linear level, impedance: 1kΩ 1 output, linear level, impedance: 600Ω
Camera	
White Balance	Auto/Manual/Outdoor
WDR	Supports multi-frame composite pattern wide dynamic with a range up to 120dB
Video Adjustment	Brightness, contrast, saturation, chroma, sharpness, BLC
Noise Reduction	3D
Defog	Available
Stabilization	Available
Mirror	Horizontal, vertical
Backlight Compensation	Available
Light Restrain	Available
Motion Detection	Up to 4 detection areas
Privacy Mask	Up to 4 privacy areas
ROI	Up to 8 regions
Smart Video Analysis	Wire cross, area intrusion
Intelligent Tracking	Rule-Triggered tracking and manual triggered tracking
Storage	
Inbuilt	Supports a Micro SD/SDHC/SDXC card (128GB); Able to store snapshots and recordings (supports alarm recording/snapshot)
Alarm	
Port	2 alarm inputs, 1 switching value output
Input	I/O input, network disconnecting, motion detection, video tampering, smart alarm, storage card out, heartbeat loss
Link	I/O output, email, FTP picture uploading, audio, TF card recording
IR Lamp	
Wave Length	850nm
Night Vision Distance	200m
Pan/Tilt Functions	
Preset	512
Pattern	12
Autopan	12
Normal Tour	16 groups (each tour can link to 14 acts for which you can select among Presets 1~32, Patterns 1~4 and Autopans 1~4)
Home Return	Available
Timing Tour	Available
Autoscan	Available
Area Zoom	Available
System Functions	
Operating System	Supports Windows XP, Windows Vista, Win7, or Win8 operating system
Browser	IE7, IE8, IE9, IE10, IE11
Access Protocol	ONVIF2.4, CGI
Web Server	Available
Remote Network Upgrade	Available
Security	Password protection, IP Address Filtering, User Access Log
RS485 Port	Supports 1*RS485
Analog Video Output	Supports 1*BNC port
IP	
Port	1*RJ45 10/100M self-adaptive Ethernet port
Protocol	IPv6, TCP, UDP, IGMP, DHCP, FTP, SNMP (V3), SMTP,

	NTP, RTP, RTSP, RTCP, HTTP, HTTPS, TSL, SSL, QoS, PPPoE, DNS, DDNS, ARP, ICMP, UPnP, IP Filter
<b>Mechanical</b>	
Manual Horizontal Speed	0.1° ~ 1000°/s
Manual Vertical Speed	0.1° ~ 300°/s
Preset Speed	Up to 400°/s
Horizontal Scan Angle	360° continuous scanning
Vertical Scan Angle	-5° ~ 90° (auto-flip)
Preset Accuracy	±0.1°
Electric Motor	Stepping motor
<b>Electrical</b>	
Power Supply	24VAC (±35%)/24VDC (±30%) self-adaptive, PoE (802.3at Class 4: 4 pairs)
Power	<17W (idle state) <63W (max., heater on, IR lamp manually adjusted to maximum) <50W (POE)
<b>Reliability</b>	
Anti-Static	Contact protection 7KV, Air discharge 9KV

Surge Protection	6KV
Rating	IP 66
<b>Environmental</b>	
Operating Temperature	-40°C ~ +60°C (outdoor) -20°C ~ +60°C (POE, outdoor)
Operating Humidity	0 ~ 90%RH (non-condensing)
Mounting	Wall, pole and corner mount
<b>Physical</b>	
Product Dimension (H x D)	370.4mm x Φ229.6mm
Package Dimension (L x W x H)	485mm x 280mm x 300mm
Product Net Weight	5.8kg
Shipping Weight	7.6kg
<b>Certifications and Approval</b>	
Product Certifications	CE <sup>1</sup> , FCC <sup>2</sup> , IP66 <sup>3</sup> , IK10 <sup>4</sup> , UL <sup>5</sup> , ONVIF Profile G
Certificate No.: <sup>1</sup> RSZ151218006-01; <sup>2</sup> RSZ151218006-00; <sup>3</sup> TRS16060020; <sup>4</sup> EM160622016RE001, <sup>5</sup> E232008-A53	

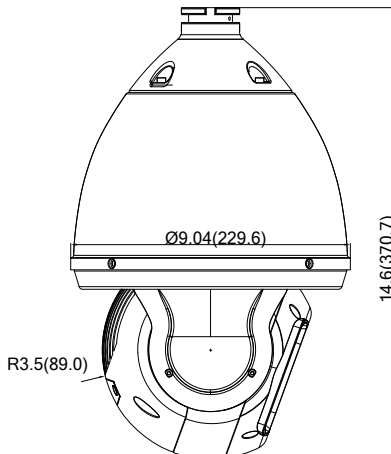
## Ordering information

VT231-A230-A061 HD IR IP dome cameras, 2.0M, 30X, 1/1.9" CMOS, day/night, H.265/H.264/MJPEG, with audio alarm, outdoor, bracket mount, 24VDC/24VAC/PoE  
If select POE power source, LAS60-57CN-RJ45-F is must.

### Accessories

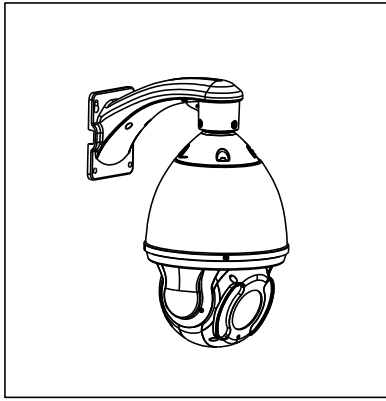
V1761K	Wall Mount, bayonet, 10 inches
V1762K	Corner Mount, bayonet, 10 inches
V1763K	Pole-side Mount, bayonet, 10 inches
V1765	Parapet Mount, 12inch horizontal, vertical attachment, 1.5 inch NPT
V1765A	Parapet Mount, V1765 horizontal attachment adapter
LAS60-57CN-RJ45-F	PoE power sourcing equipment, 100-240VAC inputs, 60W output

## Dimensions

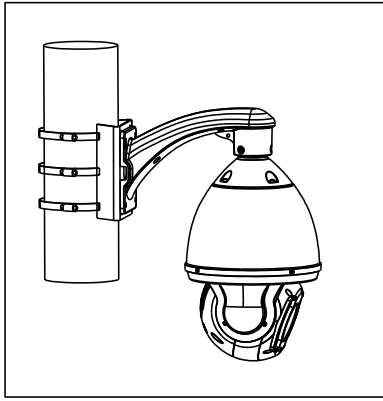


(Unit: inch, in the parentheses is mm)

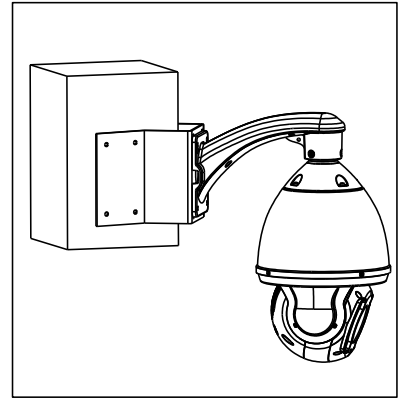
## Mounting



Wall Mounting



Pole Mounting



Corner Mounting